

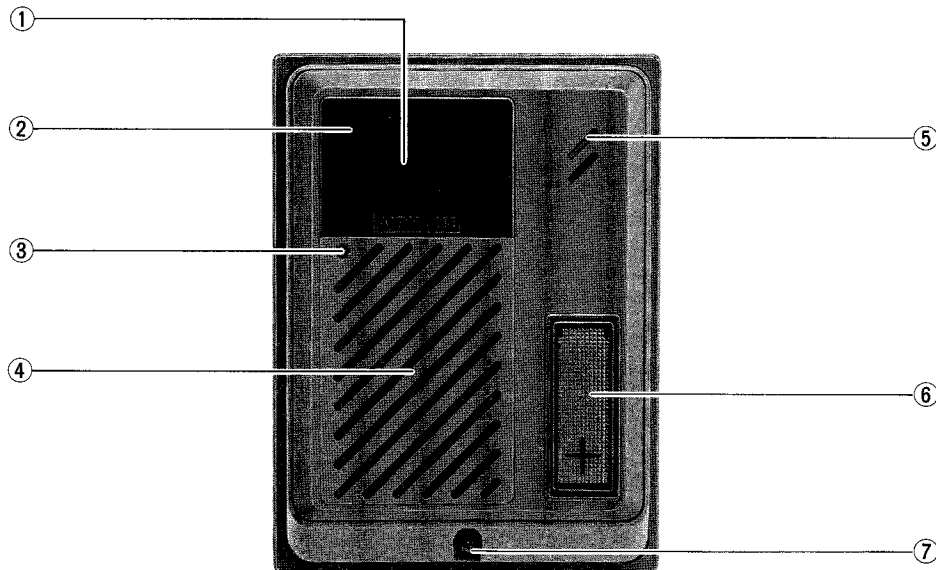
2-WIRED VIDEO ENTRY SECURITY SYSTEM

Model; **MY-DA** (Video doorstation, surface-mount)

INSTRUCTIONS

1

NAMES AND FUNCTIONS



MOUNTING ACCESSORIES.



SCREW (x 2)
(for mounting to
single-gang box)



WOOD SCREW (x 2)
(for mounting to
pillar or wall)



SCREWDRIVER
(for tamper-proof
screw)



SPACER & SCREW
(for inclining the unit
to upward direction)

MY-DA

- ① CCD camera
- ② Infrared LEDs
- ③ Locator LED
- ④ Speaker
- ⑤ Mic.
- ⑥ CALL button
- ⑦ Tamper-proof screw

2

FEATURES

- *MY-DA is a video door station for use with MY-1AD room station with video monitor.
- *Surface mounts to a single-gang box or on the wall directly.
- *Simple 2-conductor wiring system.
- *Employs CCD (Charge-Coupled Device) camera and infrared LEDs.
- *Weather-resistant.
- *Unit can be installed 6 degrees to adjust the camera viewing angle.

3

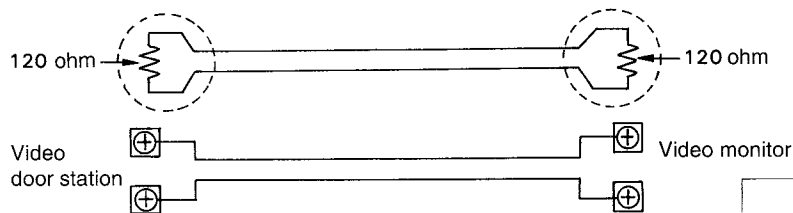
BEFORE YOU INSTALL AND OPERATE THE EQUIPMENT — Prohibitions and precautions —

INSTALLATION

1. DO NOT CONNECT ANY TERMINAL TO AC POWER LINES.
When you mount MY-DA in place of existing bell or chime, be sure to disconnect wires from the present transformer.
2. DO NOT OPEN THE MY-DA UNIT, WITHOUT FIRST REMOVING PLUG OF POWER SUPPLY FROM AC OUTLET.
3. Do not drop or hit the MY-DA which may damage the CCD camera unit.
4. Avoid running the connecting wires through doors, windows or between furniture, which may pinch and disconnect the wires.
5. Install with straight 2-conductor wire. Coaxial cable cannot be used.

WIRING

When surplus wire(s) exists in the cable between video door station and video monitor, it is possible that the picture quality would be interfered with. In that case, we suggest connecting a 120 ohm resistor at each end of surplus wire(s).



INSTALLATION LOCATION REQUIREMENTS

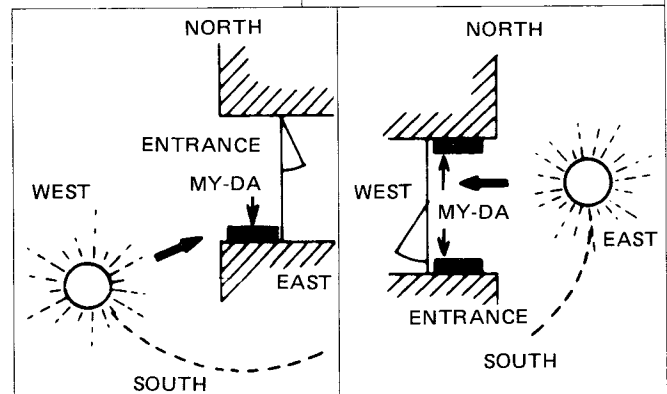
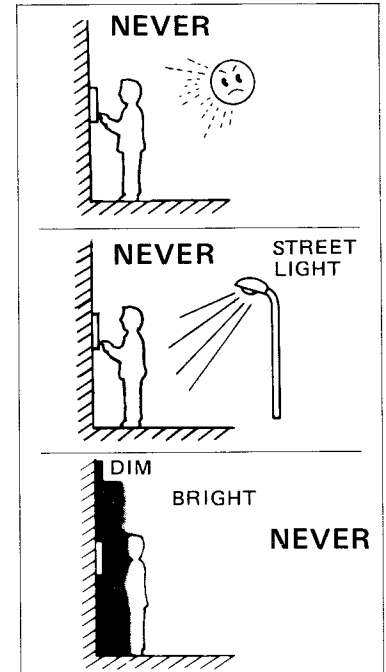
- Select the MY-DA installation location, observing the following conditions.
1. Avoid installing the MY-DA in a location that would be exposed to;
 - * direct sunlight,
 - * temperature/humidity extremes,
 - * water,
 - * oil,
 - * dust,
 - * iron dust,
 - * inflammable and chemical products, etc.,or
 - * where the strong light source is behind the person standing at the doorstation. The face will appear dark on the room station monitor. This situation can occur when buildings create shadows on entry areas.
 - * As shown, it is recommended that the MY-DA be installed at an entrance not exposed to direct sunlight and with 200 to 300 lux secured on the object.

INSTALLATION HEIGHT

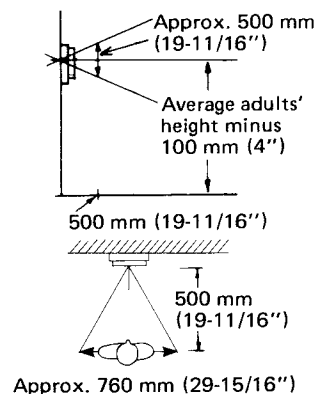
Taking the adults' average height into consideration, decide a most suitable height of MY-DA doorstation. It is suggested that the center of a camera lens be installed at an adults' average height minus 10 cm (4").

* MAINTENANCE

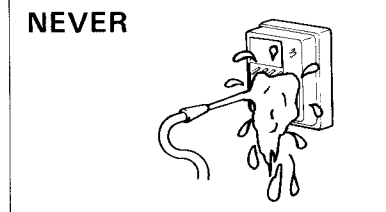
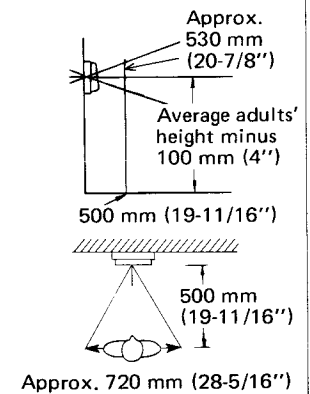
1. Clean your MY-DA unit with a soft cloth dampened with neutral household cleanser. Never use lacquer, thinner or benzine, etc.
2. Do not splash water directly on unit.



*In new installation:

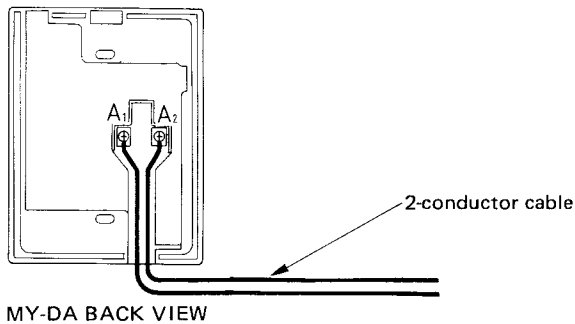


*When a spacer is installed:



4 INSTALLATION

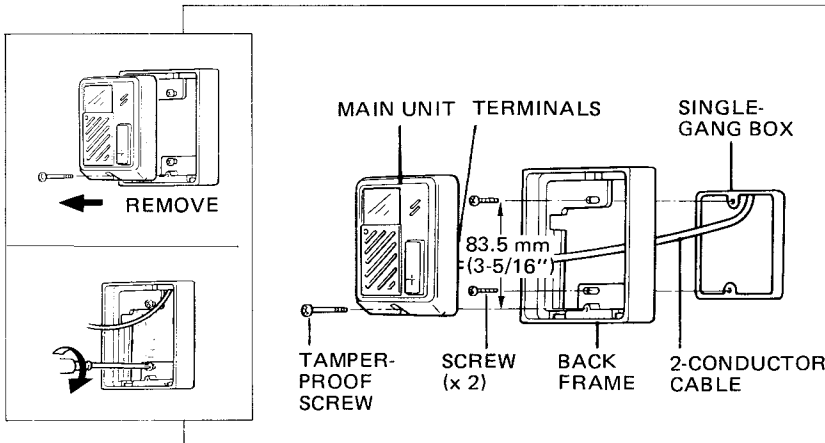
(1) ACTUAL TERMINAL LOCATION



A1 , A2 : connect to A1 , A2 terminals on room master station (non-polarized).

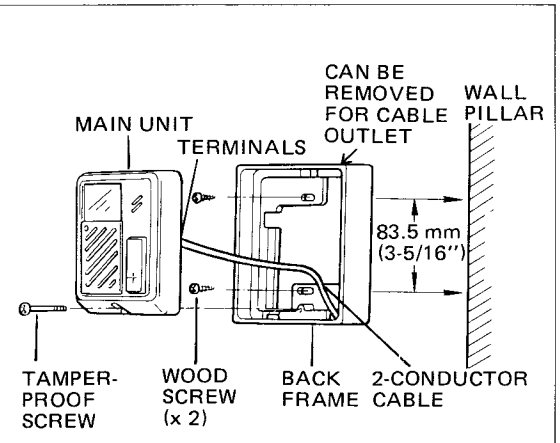
(2) WALL MOUNTING

* Mounting on single-gang box;



- ① Remove a tamper-proof screw using driver provided and separate the main unit from the back frame.
- ② Attach the back frame to a single-gang box with two screws supplied.
- ③ After wiring on terminals, reattach the main unit to the back frame.

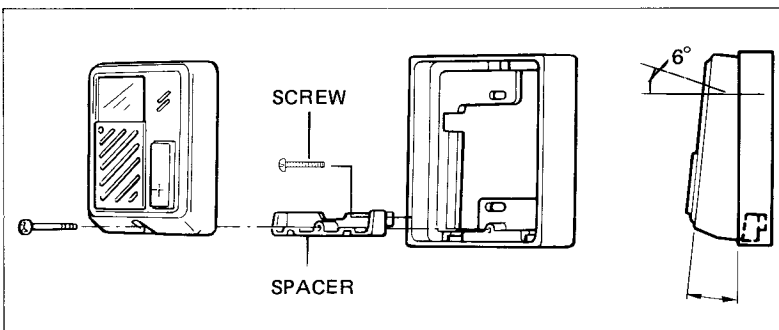
* Mounting to pillar/wood wall;



- ① Separate the main unit from the back frame (see ① of the left instructions).
- ② Pass the wires through the cable inlet at the bottom right of the back frame. Attach the back frame to wall or pillar.
- ③ After wiring connections are made, reattach the main unit to the back frame.

NOTE: To pass the conductors through the top, remove the outlet part.

(3) MOUNTING A SPACER

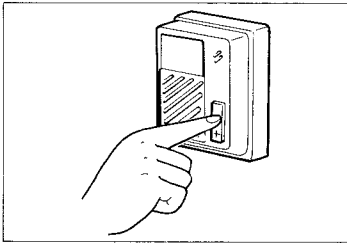


When replacing the existing audio only door station with MY-DA, and the camera height is too low, the use of a spacer is suggested. The camera angle can be turned upward to an angle of 6 degrees.

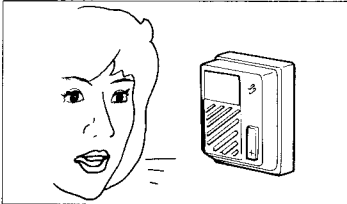
5

OPERATIONS

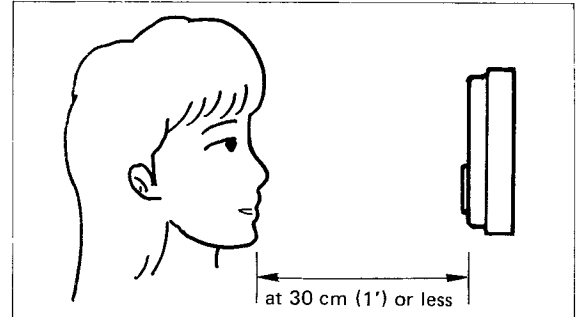
To call room station;



Momentarily depress CALL button.



Communicate handsfree when the room station replies. Stand in front of the camera at approx. 30 cm (1') distance, to obtain the best picture at night.



6

SPECIFICATIONS

- * Power source : Supplied by room station.
- * Camera unit : CCD (Charge-Coupled Device).
- * Minimum illumination : 1 lux or less on the object at a distance of 30 cm (1') or less.
It is suggested to secure brightness of 200 to 300 lux in the dark area to obtain best picture.
- * Scanning line : 525 lines.
- * Object pickup range : Approx. 50 cm (19-11/16") (average) vertically.
Approx. 76 cm (29-15/16") (average) horizontally.
- * Calling : 4-stroke electronic chime.
- * Wiring : Single pair of wires (non-polarized).
- * Wiring distance : For audio/video;

| | | |
|----------|---------|--------|
| AWG | 22 AWG | 18AWG |
| Distance | 165' | 330' |
| Diameter | 0.65 mm | 1.0 mm |
| Distance | 50 m | 100 m |

- * Dimensions & weight : H: 130 mm x 98 mm x D: 43 mm (H: 5-1/8" x W: 3-7/8" x D: 1-11/16")
Approx. 350 g (0.77 lbs.)

WARRANTY

Aiphone warrants its products to be free from defects of material and workmanship under normal use and service for a period of one year after delivery to the ultimate user and will repair free of charge or replace at no charge, should it become defective upon which examination shall disclose to be defective and under warranty. Aiphone reserves unto itself the sole right to make the final decision whether there is a defect in materials and/or workmanship; and whether or not the product is within the warranty.

This warranty shall not apply to any Aiphone product which has been subject to misuse, neglect, accident, or to use in violation of instructions furnished, nor extended to units which have been repaired or altered outside of the factory.

This warranty does not cover batteries or damage caused by batteries used in connection with the product.

This warranty covers bench repairs only, and any repairs must be made at the shop or place designated in writing by Aiphone. Aiphone will not be responsible for any costs incurred involving on site service calls.

Aiphone Co., Ltd., Nagoya, Japan
Aiphone Corporation, Bellevue, Washington, USA

COMMUNICATION SYSTEMS
AIPHONE
HOME, BUSINESS, INDUSTRY